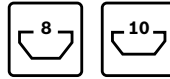
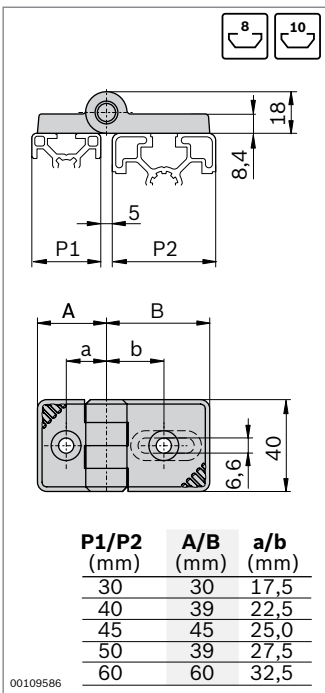


Hinge, plastic

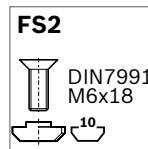
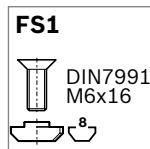
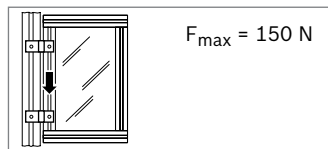


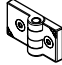
- ▶ Plastic hinge for profiles with 8 mm or 10 mm slot
- ▶ Assembly possible on solid surface elements
- ▶ Centering bolts for easy assembly and as a anti-torsion element

19881



00109586



Hinge, plastic	P1 (mm)	P2 (mm)	No.	FS
	30	30	2	3 842 554 458 2xFS1
	30	40/50	2	3 842 554 460 1xFS1, 1xFS2
	30	45	2	3 842 554 462 1xFS1, 1xFS2
	30	60	2	3 842 554 464 1xFS1, 1xFS2
	40/50	40/50	2	3 842 554 466 2xFS2
	45	45	2	3 842 554 468 2xFS2
	45	60	2	3 842 554 470 2xFS2
	60	60	2	3 842 554 472 2xFS2

Material: PA; signal gray
 Hinge axle: steel; galvanized
 Fastening material: steel; galvanized

Scope of delivery: incl. fastening material (FS)